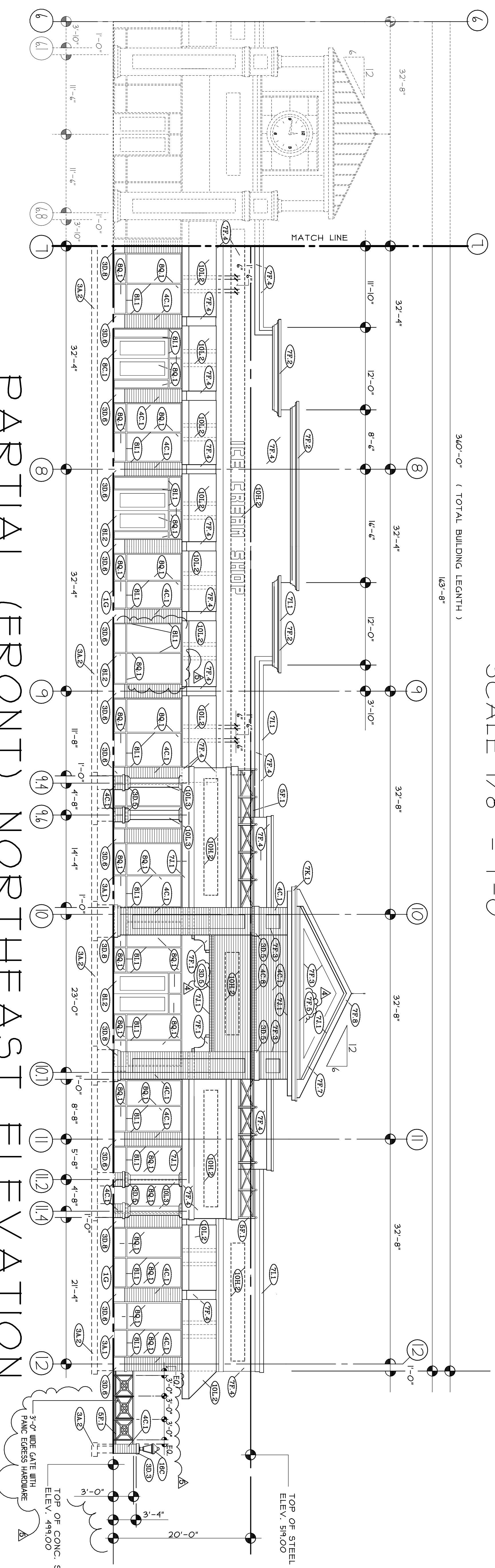


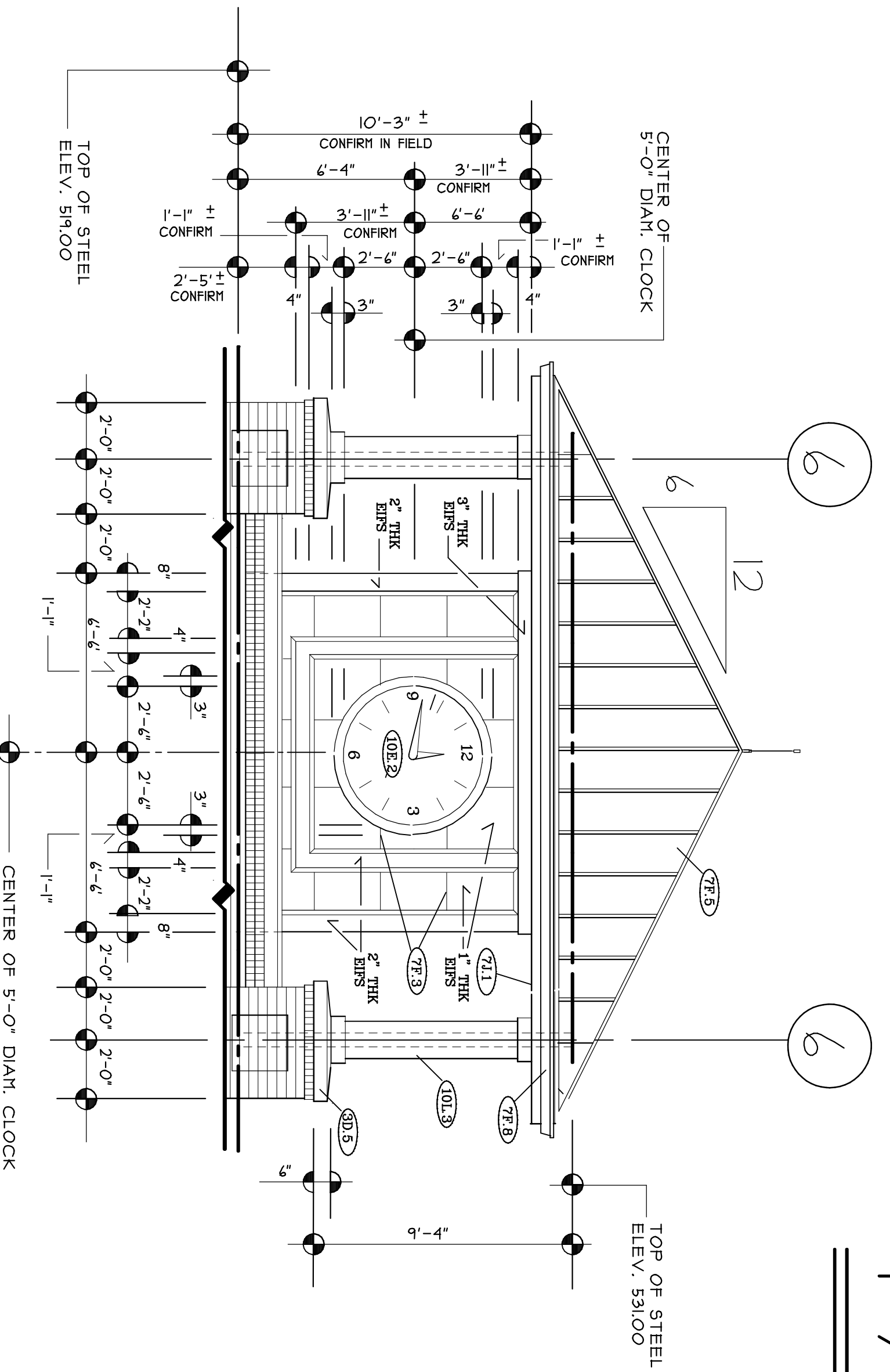
PARTIAL (FRONT) NORTHEAST ELEVATION

SCALE 1/8" = 1'-0"



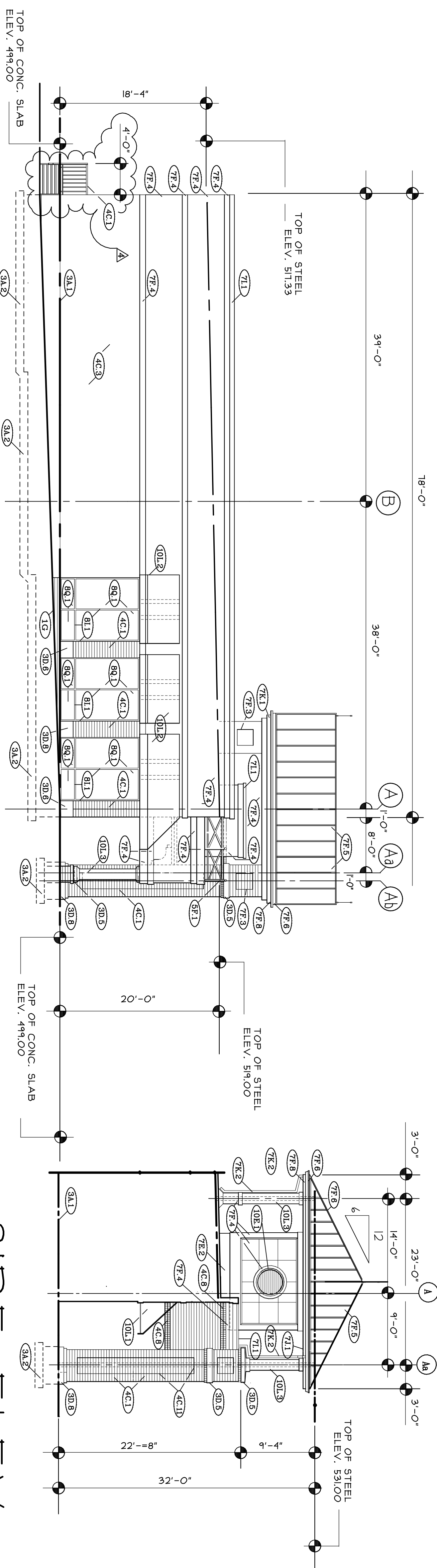
PARTIAL (FRONT) NORTHEAST ELEVATION

SCALE 1/8" = 1'-0"



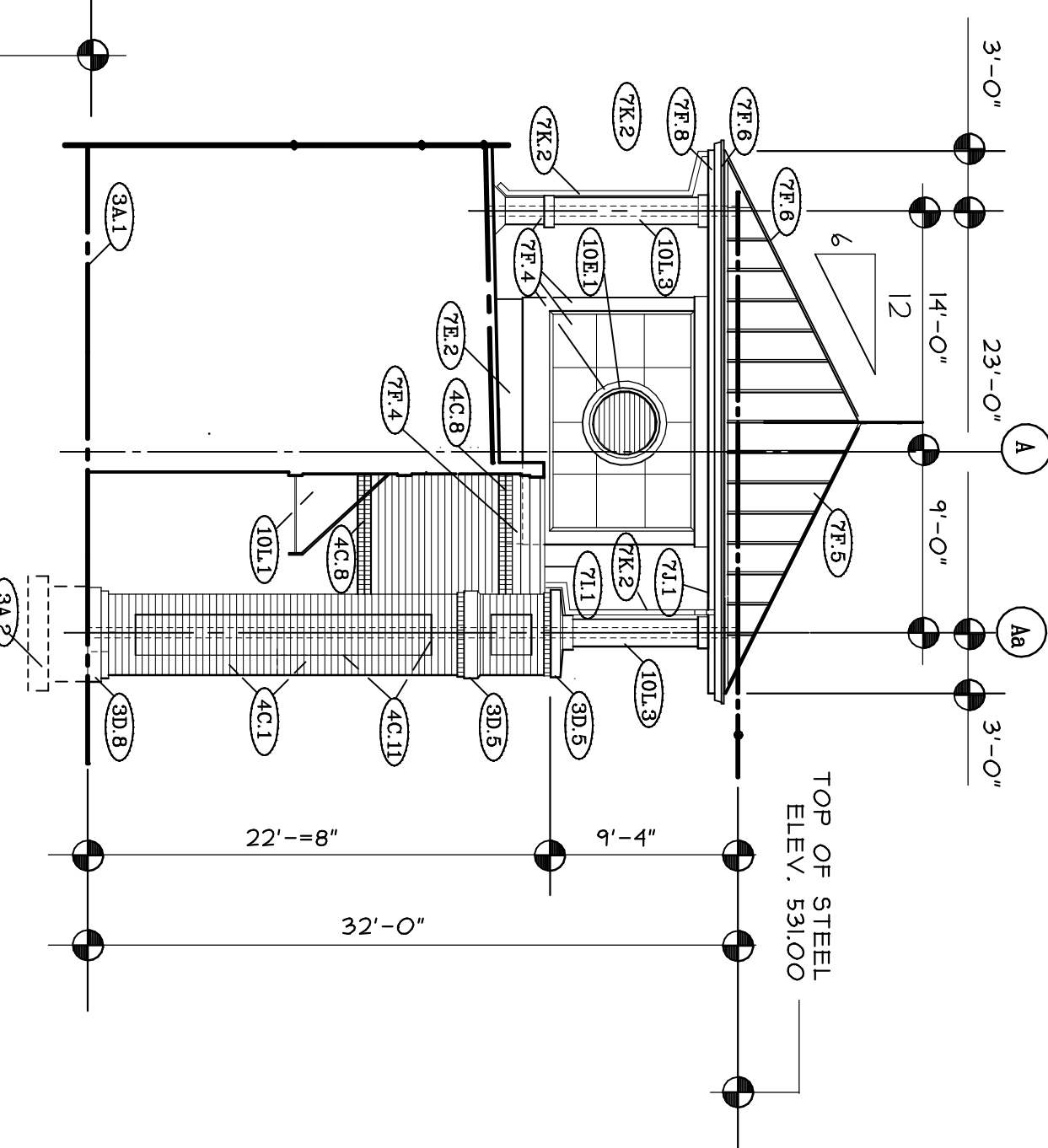
DETAIL - A -

SCALE 1/4" = 1'-0"



(LEFT SIDE) SOUTHWEST ELEVATION

SCALE 1/8" = 1'-0"



SIDE ELEV.
TOWER

SCALE 1/8" = 1'-0"

REVISIONS

NO.	DESCRIPTION	DATE
5	GENERAL	4/03/05
4	GENERAL	10/28/05
3	GENERAL	10/01/05
2	GENERAL	9/16/05
1	GENERAL	8/15/05
NO.	DESCRIPTION	XX DATE

FRONT ELEVATION/SIDE

THE SHOPPES OF MANSFIELD

ROUTE 57

MANSFIELD, NEW JERSEY

P. A. MARCHETTA

ARCHITECT - PLANNER



SIXTY-THREE RIDGE ROAD
P.O. BOX 802
LYNDHURST, N.J. 07071
TEL: (201) 935-4410 FAX: (201) 935-4416

N.J. REG. NO. C-7218

SCALE: 1/8"=1'-0"
DRAWN BY:
CHECKED BY:
DATE: 03/18/2005

205 NO. 05-007

